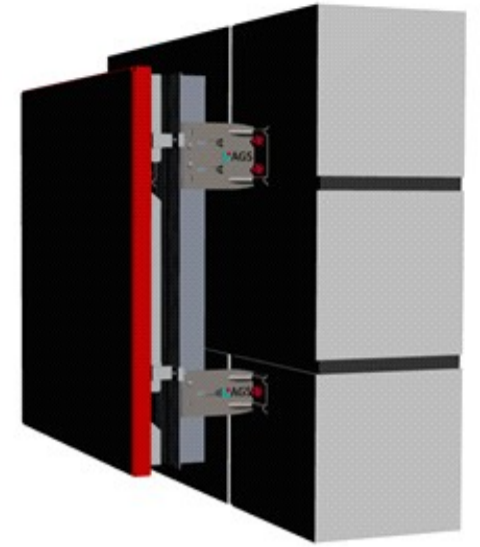


# Facade system - BIPV

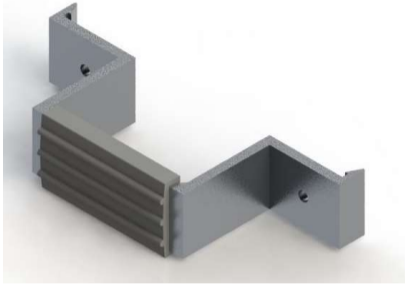
## Technical specification

Material systemu	aluminium and Magnelis
Angle of inclination	modules parallel to the wall
Module orientation	horizontal, vertical
Assembly system	suspended

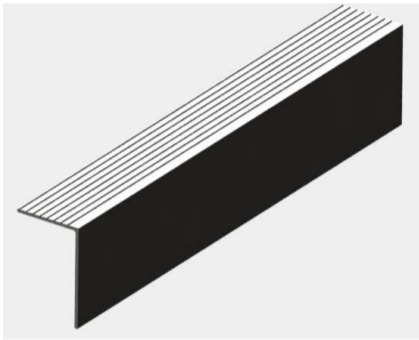
Note: The selection of the structure layout and spacing depends on the type of wall



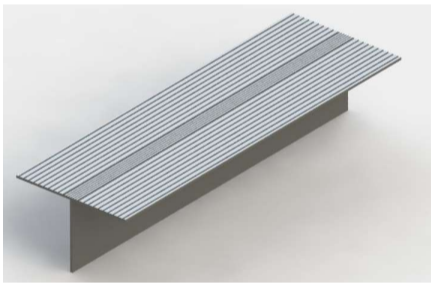
W1 pendant



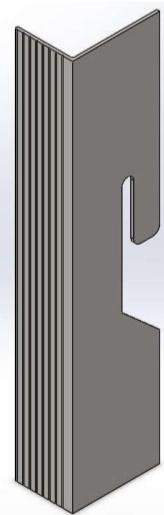
K1 profile



T1 profile



milled hanger angle



AGS HI+ console



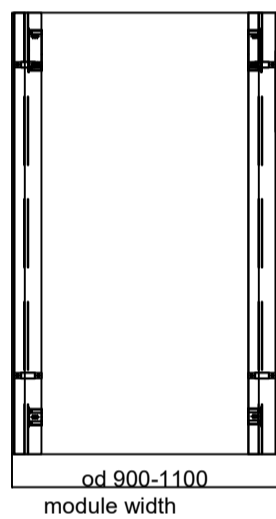
screw 3,9x16  
DIN 7504 K



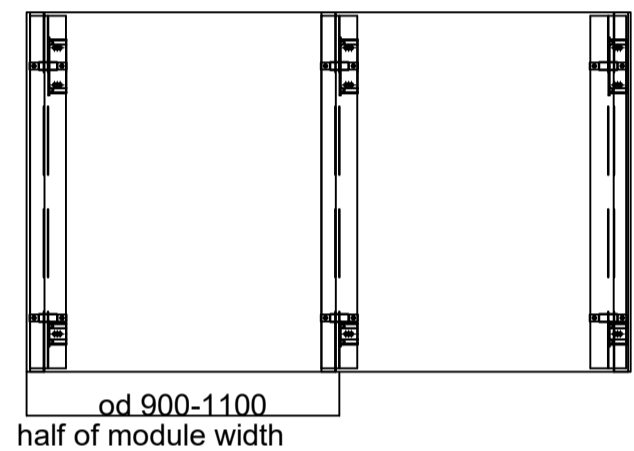
screw 4,8x25  
DIN 7504 K



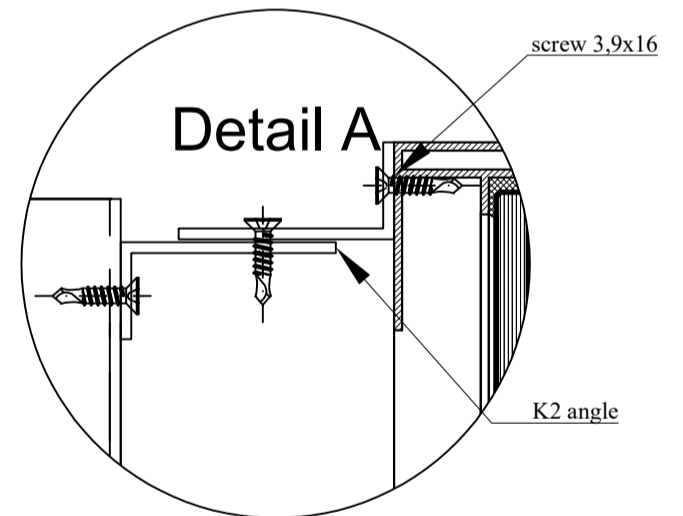
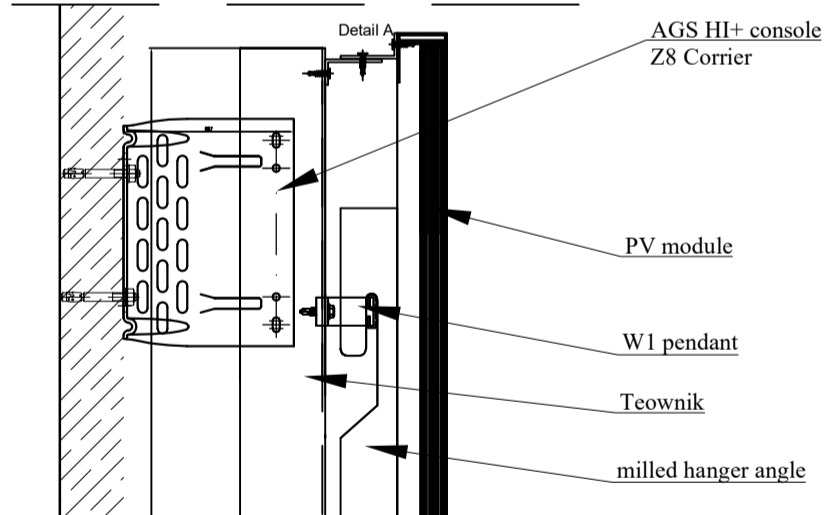
View - vertical layout



View - horizontal layout



Vertical section



Horizontal section

