

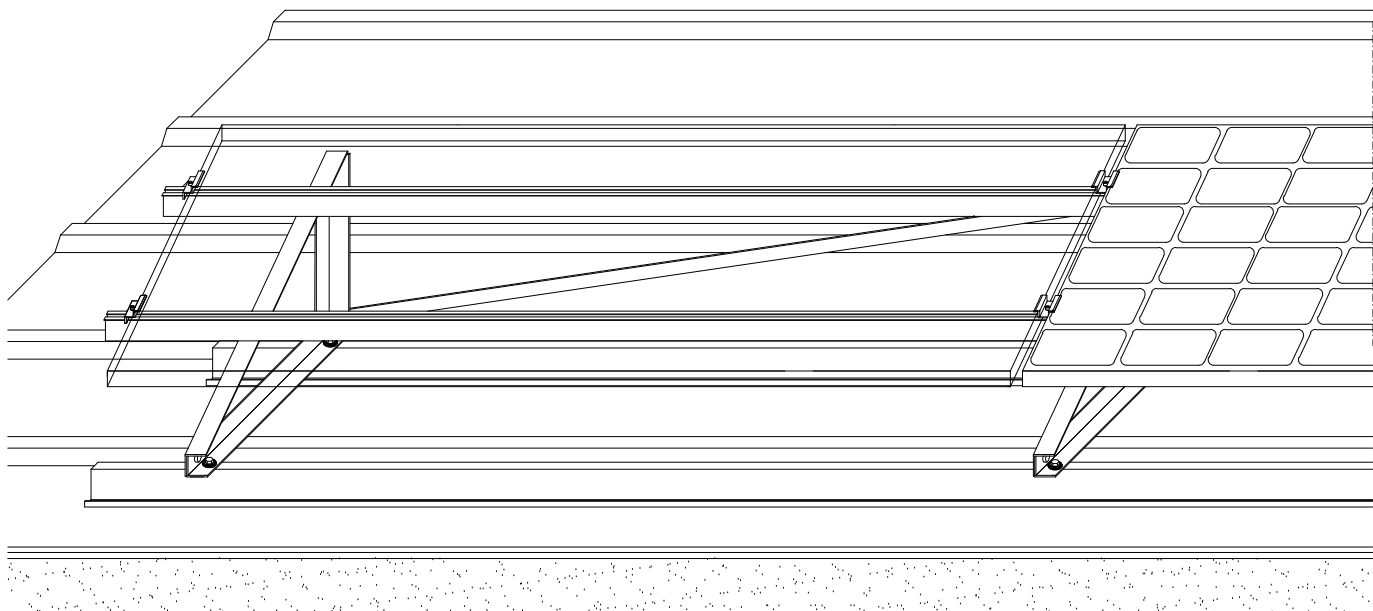
FLAT ROOF MOUNTING SYSTEM - EKIERKA ECO FOR SANDWICH PANELS



Horizontal mounting on rail 38x45 type 101.001
 and trapezoidal rail type 101.003 - DP.1V eco

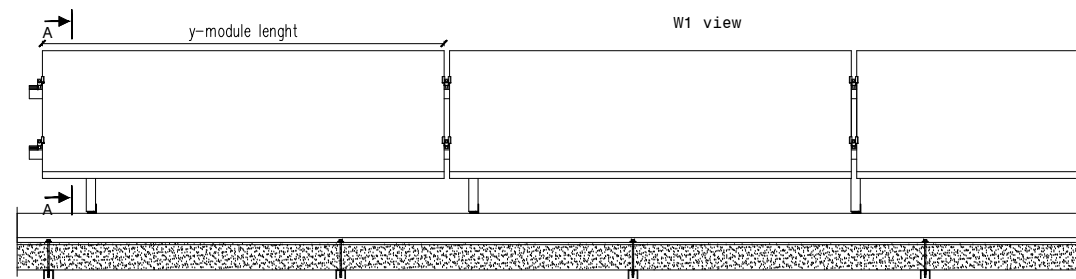
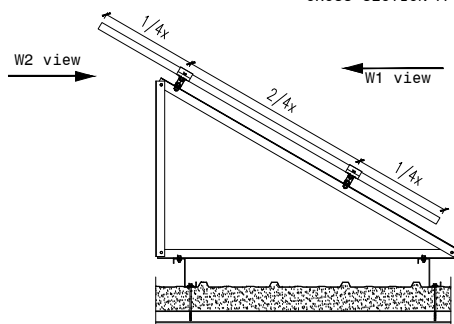
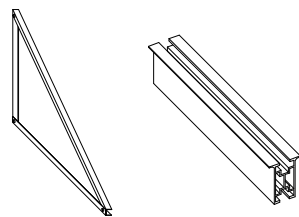
Technical specification

System material	aluminium and stainless steel
Roof type	flat roof, sandwich panels
Tilt angle	20°, 25°, 30°, 35°
Module orientation	horizontal
Assembly system	on the short side on mounting rail 38x45 typ 101.001
Roof area for 1 kW (for 1650x992 module)	for tilt angle 20° - 6,8m ² for tilt angle 25° - 6,6m ² for tilt angle 30° - 6,2m ² for tilt angle 35° - 5,8m ²
Roof load for 1 kW (without modules)	for tilt angle 20° - 21,7kg for tilt angle 25° - 21,9kg for tilt angle 30° - 22,0kg for tilt angle 35° - 22,1kg

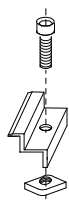


CROSS-SECTION A-A

ekierka eco
 mounting rail
 38x45 101.001



end clamp 102.003
 allen screw 202.003
 T-nut 203.001



middle clamp 102.001
 allen screw 202.003
 T-nut 203.001

