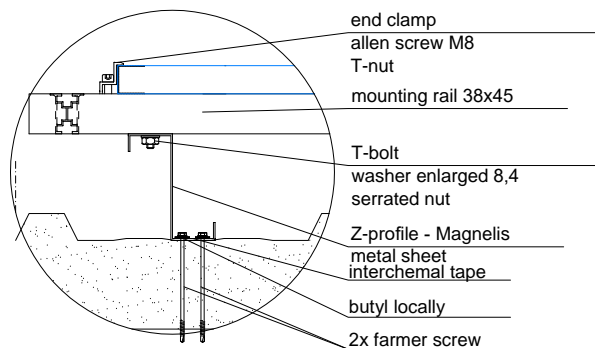
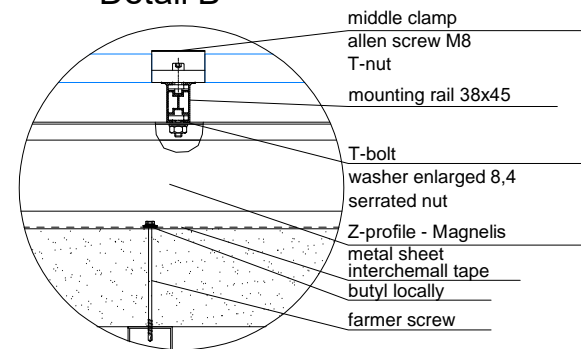


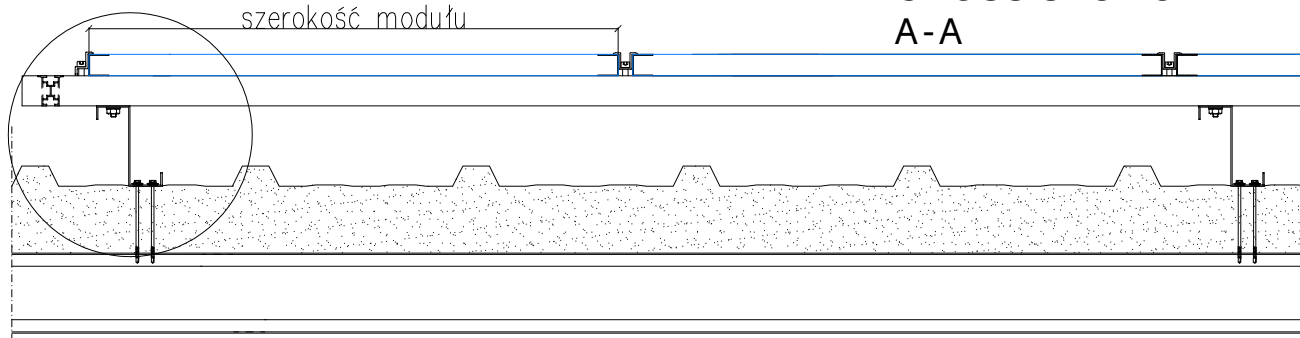
Detail A



Detail B



Detail A



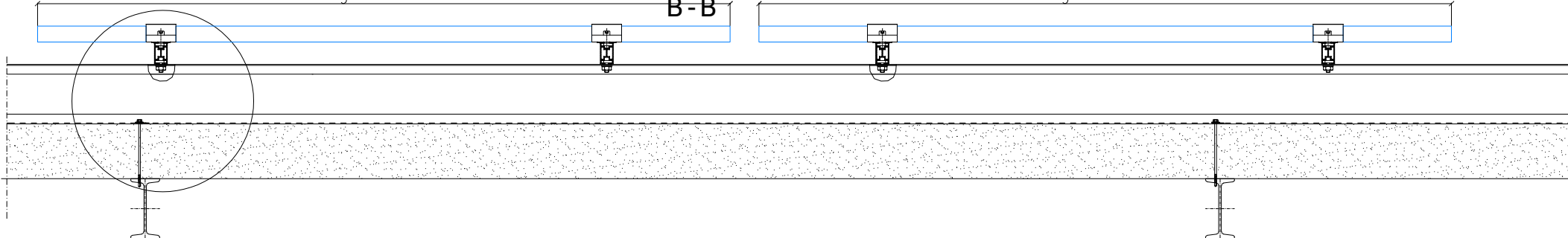
CROSS SECTION
A-A

Detail B

długość modułu

CROSS SECTION

długość modułu



B-B

NOTE:

The Z-profile should be fastened to one purlin using two farm screws.
Seal the roof penetration with butyl tape glued between the Z-profile and the roof covering.

All drawings and/or studies are the property of the design team of Energy5 Sp. z o.o.. Sharing, reproduction, any activities related to changes and dissemination of designs and copyrights are prohibited without the written consent of Energy5 Sp. z o.o.



Energy 5 Sp.z o.o.
ul. Ziejkowa 5, 09-500 Gostynin
www.energy5.pl
tel: +48 (24) 362 08 48
fax: +48 (24) 362 08 49