

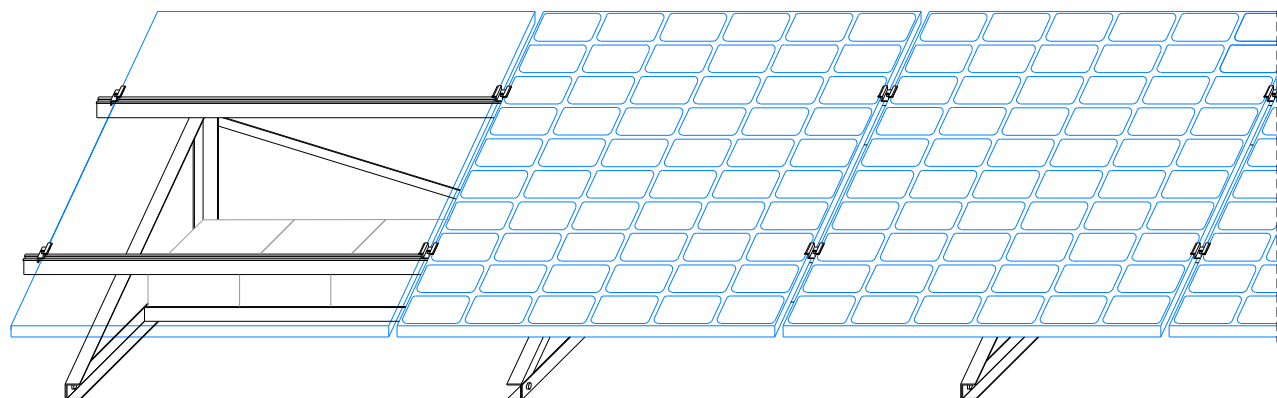
FLAT ROOF MOUNTING SYSTEM - EKIERKACH BALLAST



Vertical mounting system on rail 38x45 typ 101.001
 with ballast - DP.1VB eco

Technical specifications

System material	aluminium and stainless steel
Type of roof	flat roof
Tilt angle	15°, 20°, 25°, 30°, 35°
Module orientation	vertical
Mounting system	on the long side on mounting rail 38x45 type 101.001
Roof area for 4 modules <small>(for module 1650x992)</small>	for tilt angle 20° - 6,8m ² for tilt angle 25° - 6,6m ² for tilt angle 30° - 6,2m ² for tilt angle 35° - 5,8m ²
Roof load for 4 modules <small>(without modules and ballast)</small>	for tilt angle 20° - 17,2kg for tilt angle 25° - 17,3kg for tilt angle 30° - 17,4kg for tilt angle 35° - 17,5kg
Ballast load	min. 62,5 kg/module



ekierka eco with ballast

closing clamp 102.003
 allen screw 202.003
 hammer nut 203.001

middle clamp 102.001
 allen crew 202.003
 hammer nut 203.001

mounting rail 38x45 101.001

